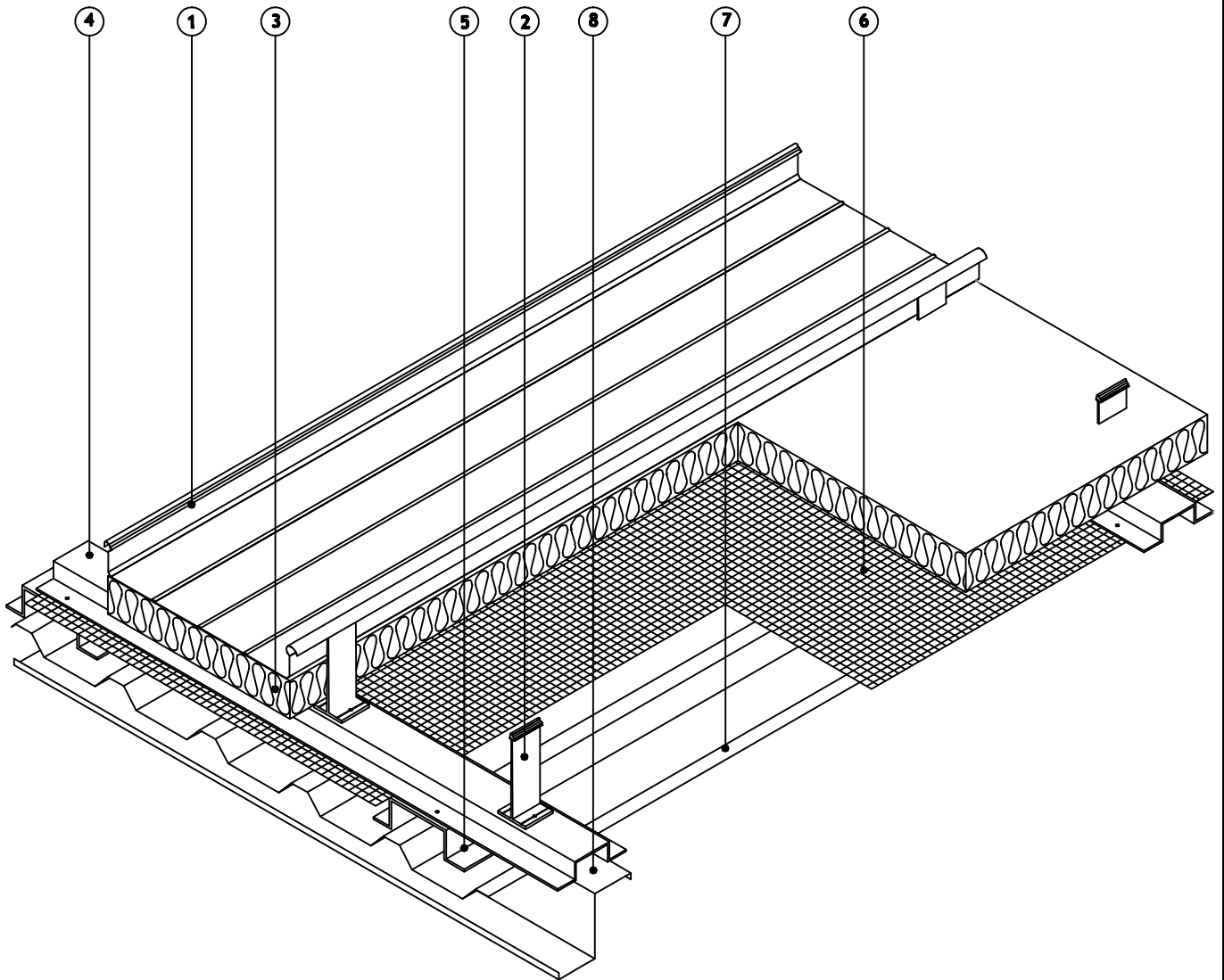


**ISOMETRIC DETAIL OF PROZIP DOUBLE SKIN CONSTRUCTION ON LINER WITH TOP-HAT SUB-PURLIN**

**Section Key:**

1. PROZIP roof sheet.
2. PROZIP halter complete with nylon thermal barrier pad.
3. Thermal insulation quilt.
4. Top-hat sub-purlin (insulated) riveted to support bracket.
5. Top-hat support bracket.
6. Vapour control layer (lapped & sealed).
7. Metal liner sheet.
8. Structural steelwork purlin.



The **BRADCLAD** Group  
The Old Station  
Nidd  
Harrogate  
HG3 3BN  
United Kingdom  
Telephone 0044 1423 779555  
Website [www.bradclad.com](http://www.bradclad.com)

Drawing title:

**PROZIP Roofing System  
Construction With Top Hat On Liner**

*Detail is valid only when approved by the Architect / Contractor concerned*

Drawing No:  
**PZ-C001**

Scale:  
**NTS**

Revision:  
**A**

Date:  
**JULY-2011**

© Copyright reserved