

PROZIP EAVES FIXING DETAILS AND THERMAL MOVEMENT REQUIREMENT

Section Key:

Roof Pitch >1.5°



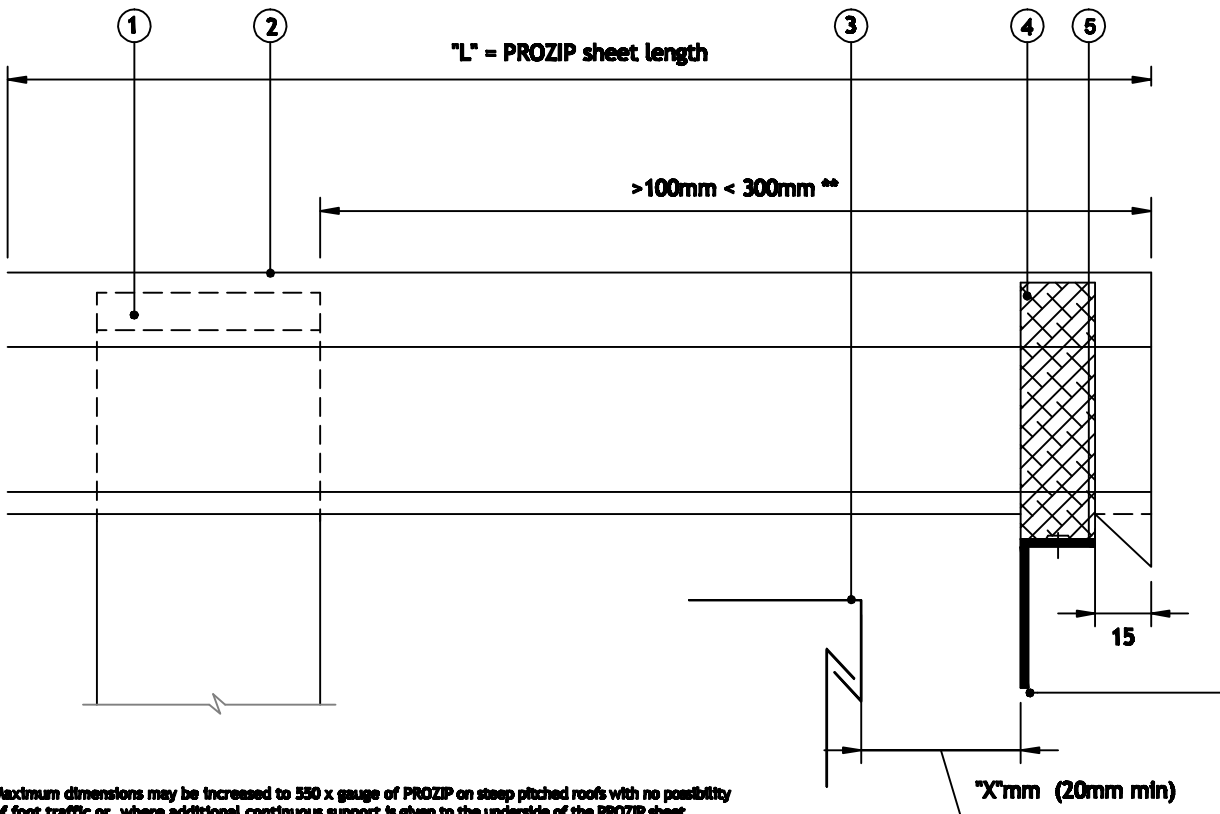
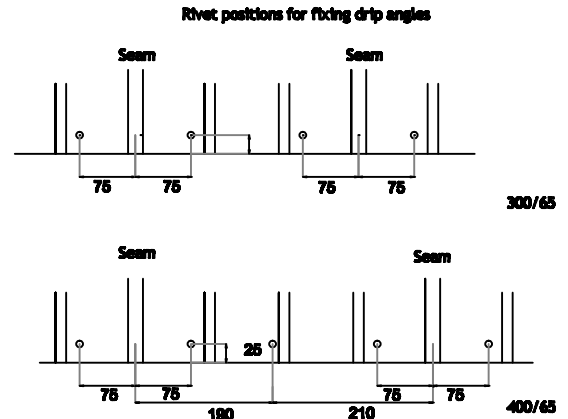
1. PROZIP halter.
2. PROZIP roof sheet.
3. Aluminium gutter counter flashing / closure flashing etc. (dependent on detail).
4. Eaves foam filler closed cell, cross linked polythene foam min. density 30kg/m³, or EPDM.
5. Extruded aluminium drip angle 40 x 20 x 2mm riveted to PROZIP through eaves foam filler, with ø4.8mm x 14.6mm long aluminium blind sealed type rivets (with stainless steel mandrel).

Thermal Movement Requirement

"X" = (0.001 x L) + Y* For stucco embossed or light coloured sheets

"X" = (0.0015 x L) + Y* for dark coloured sheets

*Ymm = Ventilation space requirement (ventilated roofs only)



Maximum dimensions may be increased to 550 x gauge of PROZIP on steep pitched roofs with no possibility of foot traffic or, where additional continuous support is given to the underside of the PROZIP sheet towards the end of the sheet.

N.B. Drip angle to be cut out where different lengths of PROZIP sheets occur to enable groups of differing sheet lengths to move independently of each other.



The **BRADCLAD** Group
 The Old Station
 Nidd
 Harrogate
 HG3 3BN
 United Kingdom
 Telephone 0044 1423 779555
 Website www.bradclad.com

Drawing title:
**PROZIP Roofing System
 Eaves Fixing Detail**

Detail is valid only when approved by the Architect / Contractor concerned

Drawing No:
PZ-E001

Scale:
1:2&1:10@A4

Revision:
A

Date:
JULY-2011

Copyright reserved ©