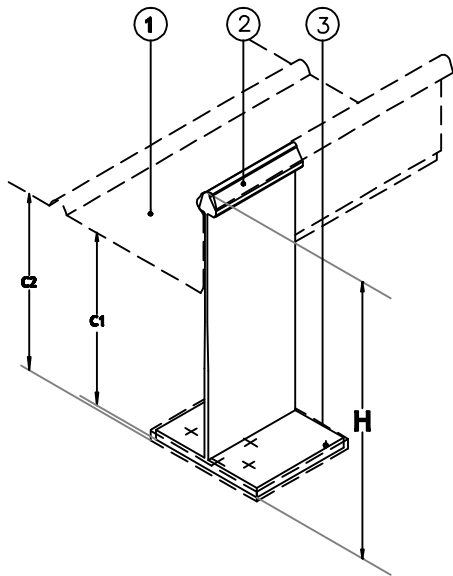


**HALTER FIXING RECOMMENDATIONS**



**Section Key:**

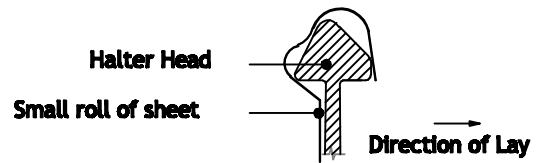
- 1. PROZIP roof sheet
- 2. PROZIP halter
- 3. Thermal barrier pad

Aluminium Range*		
H	C1	C2
80	18	24
100	38	44
165	103	109
195	133	139

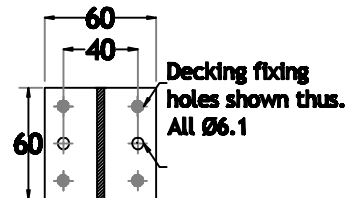
**WHERE:**

- H =Height from base to top of halter
- C1=Height from base of halter to underside of PROZIP sheet
- C2= Height from base of thermal barrier pad to underside of PROZIP sheet
- Thermal barrier pad adds 6mm to the total height of the halter
- \*Aluminium range requires nylon thermal barrier pad
- \*\*Thermal barrier pad not required

**NOTE :** Refer to Bradclad Group Technical Department for final confirmation of fastener suitability.



**Direction of Halters**

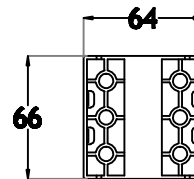


**Halter Base Detail**

Halter specifications for use with hot and cold rolled steel purlins

**Recommended halter fasteners:**

- TDCS - S16 - 6.3 x 32
- TDBS - S16 - 6.3 x 32
- SX2/18 - A16 - 6.3 x 35
- JT3- X - 2 - 6.0 x 36



**Thermal Barrier Pad**

**Recommended halter fasteners for decking:**

- SDK2 - S - 377 - 6.0 x 35/45
- SDK3 - S - 377 - 6.0 X 30/45
- (N.B. when using 6mm thermal barrier pad only.)



The **BRADCLAD** Group  
 The Old Station  
 Nidd  
 Harrogate  
 HG3 3BN  
 United Kingdom  
 Telephone 0044 1423 779555  
 Website www.bradclad.com

Drawing title:  
**PROZIP Roofing System  
 Halter Fixing Detail**

Detail is valid only when approved by the Architect / Contractor concerned

Drawing No:  
**PZ-H001**

Scale:  
**NTS**

Revision:  
**A**

Date:  
**JULY-2011**

Copyright reserved ©