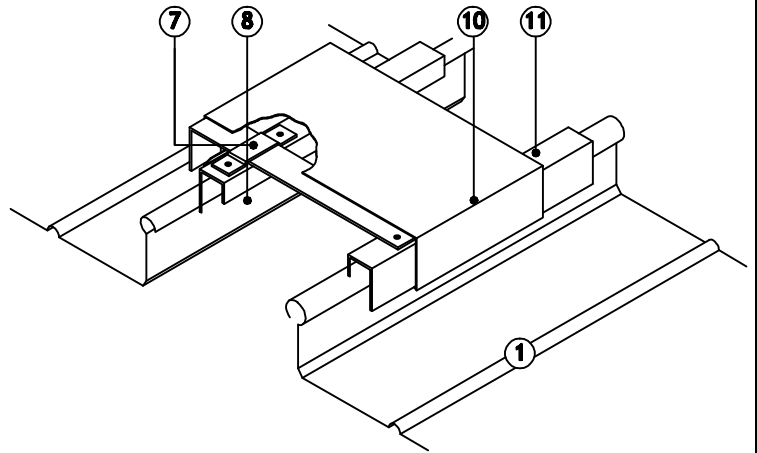


**PROZIP Movement Joint Detail**

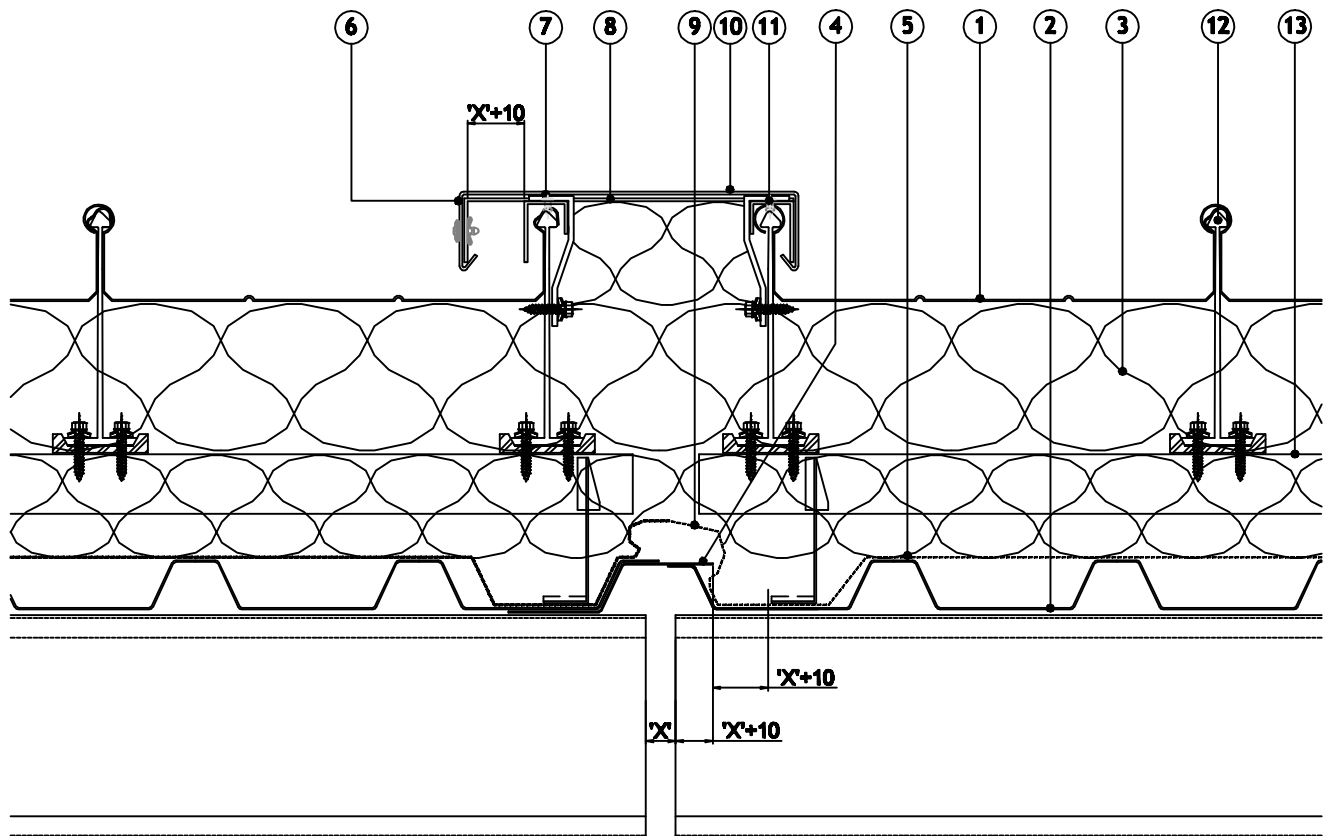
**Section Key:**

1. PROZIP roof sheet.
2. Metal liner sheet.
3. Compressed insulation quilt.
4. Liner sheet cover flashing.
5. Vapour control layer (lapped & sealed).
6. Flashing riveted to sliding bar.
7. Retaining strap riveted to verge channel.
8. 3mm thick aluminium sliding bar.
9. Loop in vapour control layer for movement.
10. 2mm thick aluminium cover flashing.
11. Standard verge channels & verge clips.
12. PROZIP halter with nylon thermal barrier pad.
13. Support bar and bracket.

**ISOMETRIC VIEW OF SLIDING BAR ARRANGEMENT**



'X' = allowable building movement



**SECTION THROUGH MOVEMENT JOINT**



The **BRADCLAD** Group  
 The Old Station  
 Nidd  
 Harrogate  
 HG3 3BN  
 United Kingdom  
 Telephone 0044 1423 779555  
 Website www.bradclad.com

Drawing title:

**PROZIP Roofing System  
 Movement Joint Detail**

Detail is valid only when approved by the Architect / Contractor concerned

Drawing No:  
**PZ-X001**

Scale:  
**NTS**

Revision:  
**A**

Date:  
**JULY-2011**

Copyright reserved ©