

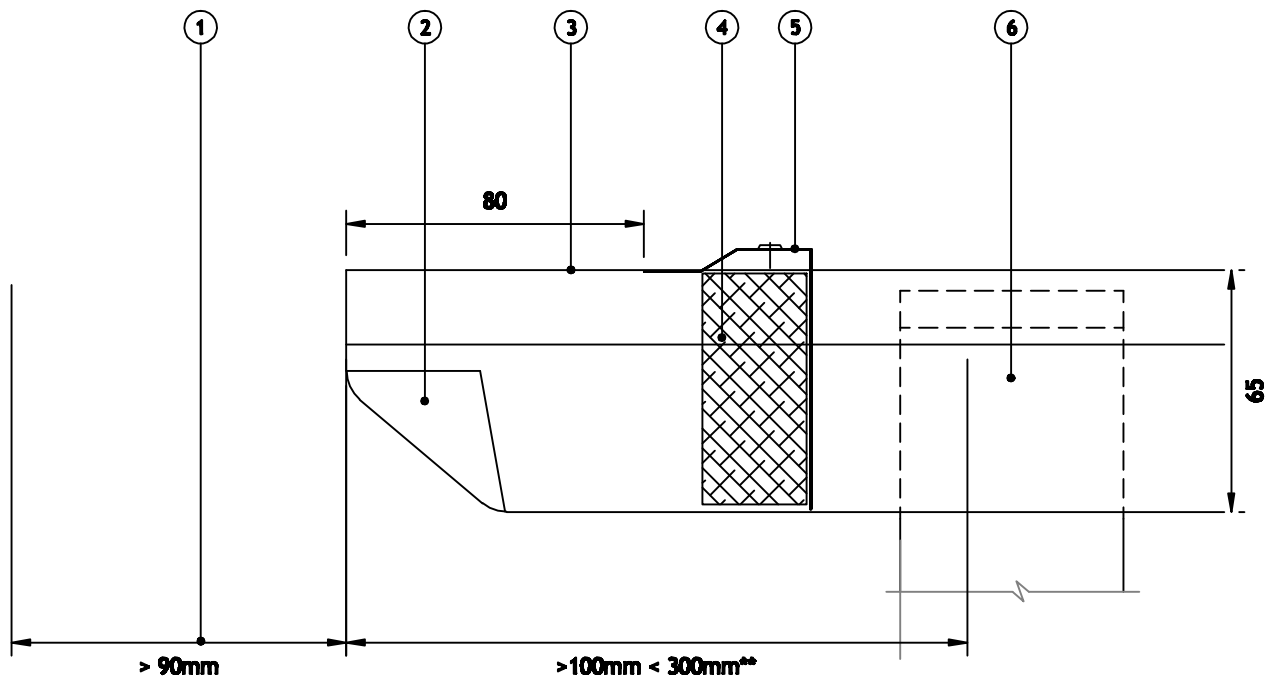
**PROZIP RIDGE FIXING DETAIL**

ROOF PITCH >1.5°



**Section Key:**

1. Dimension from end of PROZIP sheet to end of PROZIP sheet (dual pitched ridge) or element of structure (monopitched abutment ridge) to allow access for 'special ridge folding tool'.
2. Ends of PROZIP sheets to be folded using 'special ridge folding tool' after sheets have been zipped up, but before ridge closures are fixed. This operation is to be performed whilst working off a platform laid across the PROZIP seams. No pressure is to be applied to the PROZIP tray.
3. PROZIP roof sheet.
4. Ridge closure dam foam filler closed cell, cross linked polyethylene foam (min. density 30kg/m<sup>3</sup>) or EPDM.
5. Simple ridge dam, \* riveted to PROZIP seams with Ø4.8mm x approx. 12mm long aluminium blind sealed type rivets (with stainless steel mandrel).
6. PROZIP halter with nylon thermal barrier pad.



\* Ridge closure must not be fixed over halter position, otherwise fixed rivet will not fully open.

\*\* Maximum dimensions may be increased to 550mm on steep pitched roofs with no possibility of foot traffic or, where additional continuous support is given to the underside of the PROZIP towards the end of the sheet.

N.B. If thermal movement of PROZIP is to be accommodated at the eaves position, then a 'fixed point' must be provided at the ridge as per our standard details (unless a 'fixed point' is introduced elsewhere).



The **BRADCLAD** Group  
 The Old Station  
 Nidd  
 Harrogate  
 HG3 3BN  
 United Kingdom  
 Telephone 0044 1423 779555  
 Website www.bradclad.com

Drawing title:

**PROZIP Roofing System  
 Ridge Fixing Details**

Detail is valid only when approved by the Architect / Contractor concerned

Drawing No:  
**PZ-R001**

Scale:  
**1:2**

Revision:  
**A**

Date:  
**JULY-2011**

© Copyright reserved