

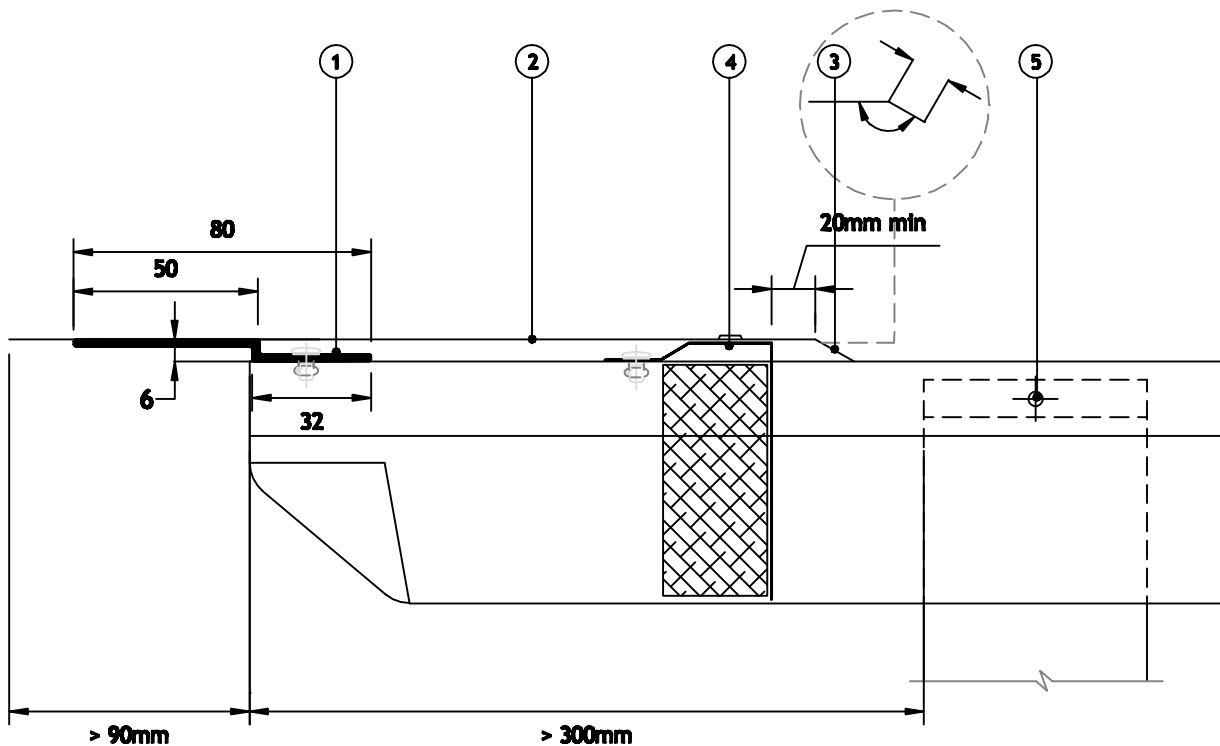
**PROZIP RIDGE FLASHING FIXING DETAIL**

ROOF PITCH >1.5°



**Section Key:**

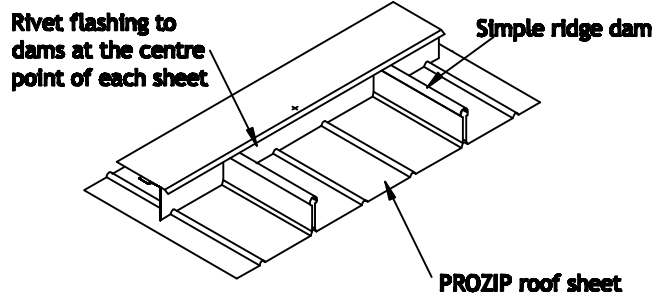
1. Support to be given at ridge flashing by continuous aluminium profile riveted to PROZIP seams with Ø4.8mm x approx. 12mm long aluminium blind sealed type rivets (with stainless steel mandrel). Do not rivet at halter positions.
2. PROZIP roof sheet
3. Aluminium ridge flashing. Flashing may be fabricated to varying profiles to suit aesthetic requirements
4. Aluminium ridge flashing riveted to dams at the centre point of each sheet with Ø4.8mm x approx. 12mm long aluminium blind sealed type rivets (with stainless steel mandrel), or Ø5mm x approx. 20mm long aluminium "Bulb-tite" type neoprene sealed rivets (with aluminium mandrel). Rivet type to be determined by gauge, length and shape of flashing.
5. PROZIP halter with fixed point



**Note:**

This detail is applicable when no ventilation is required at ridge position and when "fixed point" has been introduced at ridge clips.

For ridge fixing details, please refer to Drawing No. PZ-R001



The **BRADCLAD** Group  
 The Old Station  
 Nidd  
 Harrogate  
 HG3 3BN  
 United Kingdom  
 Telephone 0044 1423 779555  
 Website www.bradclad.com

Drawing title:

**PROZIP Roofing System  
 Ridge Flashing Fixing Detail**

Detail is valid only when approved by the Architect / Contractor concerned

Drawing No:  
**PZ-R002**

Scale:  
**1:2**

Revision:  
**A**

Date:  
**JULY-2011**

Copyright reserved ©