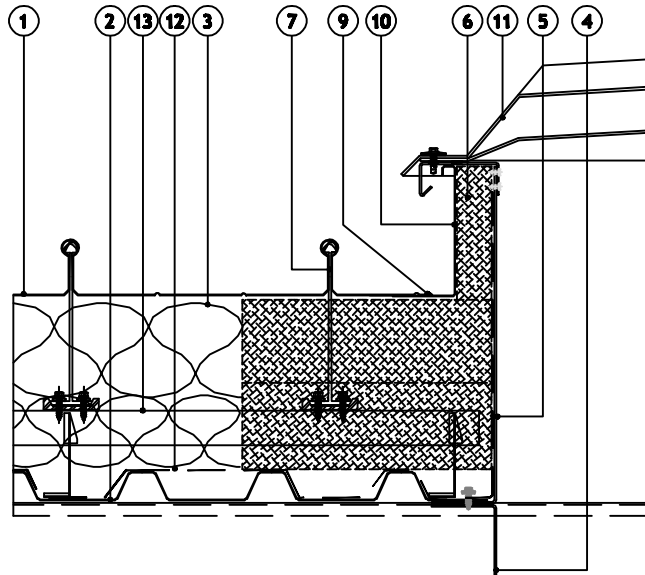


PROZIP Soaker Unit

Section Key:

1. PROZIP roof sheet.
2. Metal liner sheet.
3. Compressed insulation quilt.
4. Purlins & trimmers.
5. Galvanised mild steel support kerb.
6. Hardrock insulation.
7. PROZIP halter with nylon thermal pad.
8. Insulation support.
9. PROZIP splay cut and site welded.
10. 1.2mm thick aluminium box soaker.
11. Rooflight sealed & fixed to support kerb.
12. Vapour Control Layer (lapped and sealed)
13. Support bar and bracket



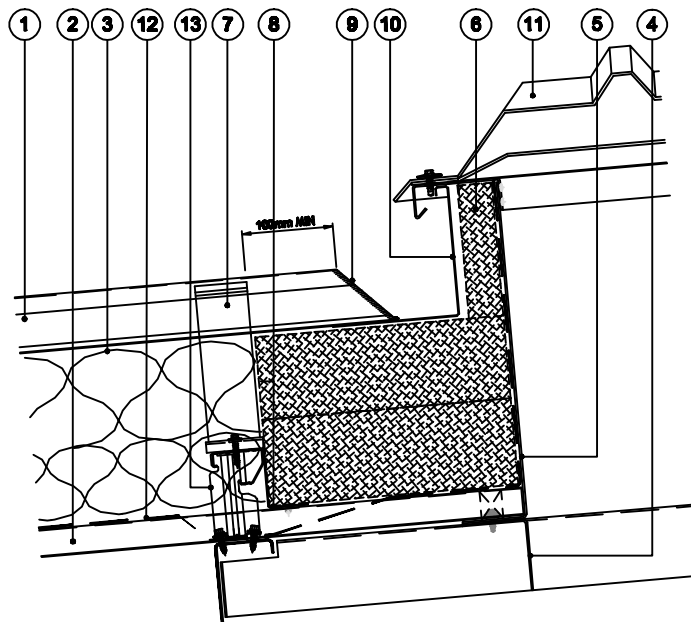
Section A - A

NOTE

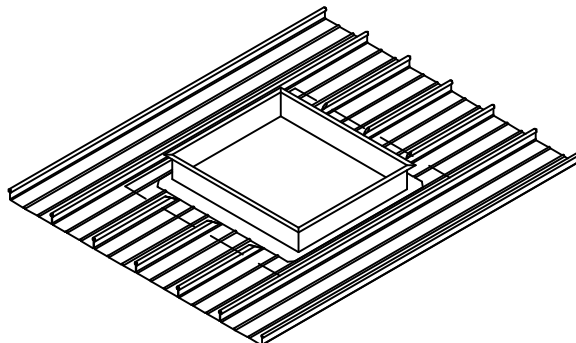
All combustible materials to be removed from area of welding to avoid risk of fire.

Reduce thickness of insulation to kerb section 'b-b' to allow for avoid risk of fire.

Reduce thickness of insulation do not inhibit thermal movement of external soaker.

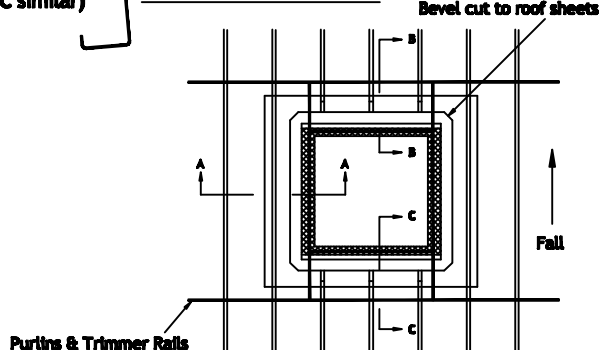


Isometric view of soaker Unit



**Section B - B
(Section C-C similar)**

Plan view of soaker Unit



The **BRADCLAD** Group
 The Old Station
 Nidd
 Harrogate
 HG3 3BN
 United Kingdom
 Telephone 0044 1423 779555
 Website www.bradclad.com

Drawing title:

**PROZIP Roofing System
 Welded Soaker Detail**

Detail is valid only when approved by the Architect / Contractor concerned

Drawing No:
PZ-W002

Scale:
1:2

Revision:
A

Date:
JULY-2011

Copyright reserved